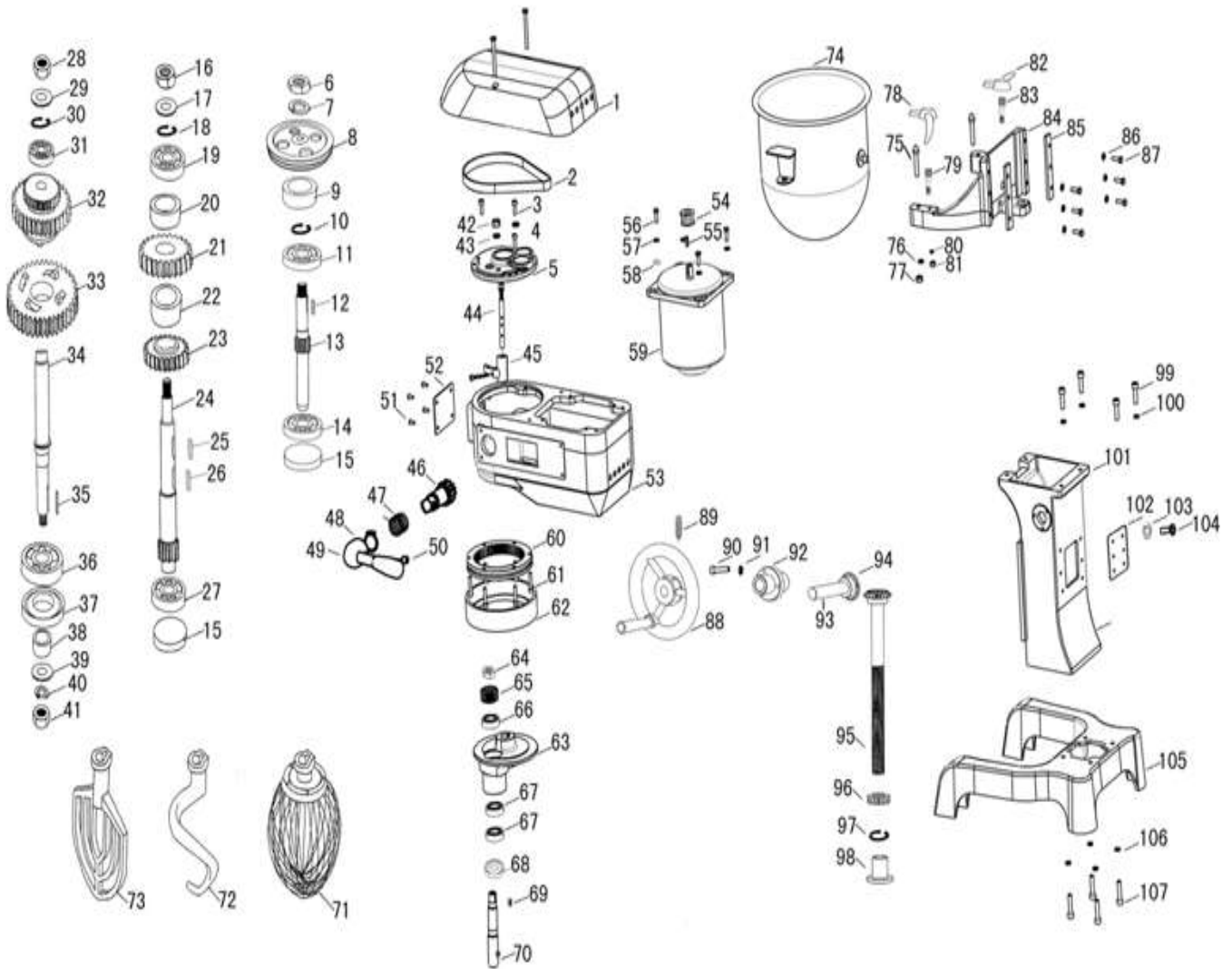


МИКСЕР ПЛАНЕТАРНЫЙ HURAKAN HKN-IP60F




МИКСЕР ПЛАНЕТАРНЫЙ HURAKAN HKN-IP60F

Поз	Наименование детали	Кол			
1	TOP COVER	1	59	motor	1
2	BELT	1	60	inside the ring gear	1
3	socket head cap screw	4	61	hexagon socket head cap screws	6
4	spring washer	4	62	oil collecting ring	1
5	bearing block	1	63	swivel base	1
6	hexagon thin nut	1	64	hexagon thin nut	1
7	spring washer	1	65	planet gear	1
8	Passive wheeled	1	66	bearing	1
9	Input shaft sleeve	1	67	bearing	2
10	hole ring	1	68	seal ring	1
11	bearing	1	69	flat key	1
12	flat key	1	70	planet shaft	1
13	input shaft	1	71	whisk	1
14	bearing	1	72	hook	1
15	casing cap	2	73	bat	1
16	hexagon thin nut	1	74	bowl	1
17	plain washer	1	75	bowl positioning pin	2
18	hole ring	1	76	spring washer	2
19	bearing	1	77	hexagon nut	2
20	Axle sleeve bridge shaft (upper)	1	78	bowl lock right handle	1
21	Bridge shaft gear(large)	1	79	right handle axes	1
22	Axle sleeve bridge shaft (lower)	1	80	spring washer	2
23	Bridge shaft gear(small)	1	81	hexagon nut	2
24	bridge shaft	1	82	bowl lock left handle	1
25	flat key	1	83	left handle axes	1
26	flat key	1	84	bowl seat	1
27	bearing	1	85	pressure seat	2
28	hexagon thin nut	1	86	spring washer	8
29	plain washer	1	87	hexagon bolt	8
30	hole ring	1	88	handlewheel	1
31	bearing	1	89	Inner hexagon end set screw	2
32	activity gear	1	90	hexagon socket cap screws	3
33	fixed gear	1	91	spring washer	3
34	output gear	1	92	Lifting adjustment rod base	1
35	flat key	1	93	handlewheel shaft	1
36	bearing	1	94	driving bevel gear	1
37	seal ring	1	95	lifting rod	1
38	bearing set(lower)	1	96	rolling bearing	1
39	plain washer	1	97	shaft ring	1
40	spring washer	1	98	lifting nut	1
41	hexagon nut	1	99	hexagon bolt	4
42	hexagon nut	1	100	spring washer	4
43	spring washer	1	101	column	1
44	Fork guide rod	1	102	back cover	1
45	fork	1	103	plain washer	6
46	Variable speed spindle	1	104	cross recess paan head screw	6
47	Spindle spring	1	105	base	1
48	shaft ring	1	106	spring washer	4
49	variable speed handle	1	107	hexagon bolt	4
50	Inner hexagon end set screw	1			
51	cross recessed countersunk head screw	1			
52	front cover	4			
53	tank	1			
54	motor pulley	1			
55	flat key	1			
56	hexagon bolt	4			
57	plain washer(large)	4			
58	spring washer	4			